

TRANSOLID® LAUNDRY TUBS FLOOR & WALL MOUNT

Available 3 ways -
Laundry Tub only, Laundry Tub with Convenient Accessories and
Laundry Tub, Accessories and Pull-out Laundry Faucet

COMPLETE KIT Includes laundry tub, accessories and faucet



Floor Model SM-19-FC2

Wall Model SM-19-WC2

FEATURES:

- Single compartment, multi-purpose sink manufactured from an innovative foam process. The polypropylene structural composite sink utilizes this unique molding process, producing seamless corners and edges while providing unrivaled strength. Low-maintenance polyethylene legs offer structural rigidity.
- Convenient accessories include a bottle holder, drying rack, front and side towel holders, p-trap and supplies.
(Models SM-19-FA, SM-19-WA & SM-19-FC, SM-19-WC only)
- Leak-proof, integral molded-in drain with stopper.
- Single lever faucet with dual function pull-out spray. Swivel spout. Brass construction. 1.8 gpm max (6.8L/min) - saves 20% more water. Polished Chrome finish.
(models SM-19-FC2 and SM-19WC2 only)
- Large, self-draining back shelf with retainer curb that prohibits water run-off except into tub.
- Easy to assemble and install.
- 5 year limited warranty.





FLOOR MODEL LAUNDRY TUB

SPECIFICATIONS

SM-19-F Tub only W22³/₈" x D26" x 34³/₄"

Single compartment, multi-purpose polypropylene structural composite sink. Unique molding process, producing seamless corners and edges while providing unrivaled strength. Low-maintenance polyethylene legs offer structural rigidity. Leak-proof, integral molded-in drain with stopper. Large, self-draining back shelf with retainer curb that prohibits water run-off except into tub. Easy to assemble and install. 5 year limited warranty.

IAPMO®, #B45.0 and B45.5; Drain - #B125. ANSI Z124-2011

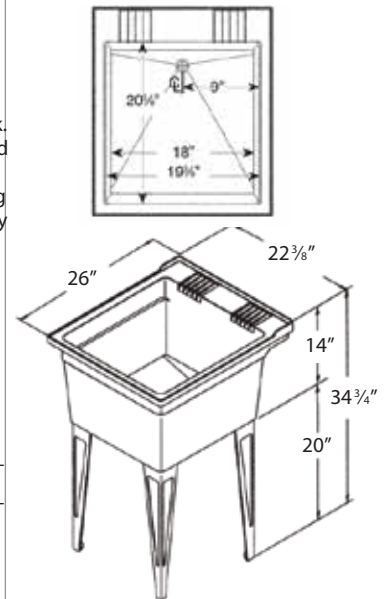
SM-19-FA Tub & Accessories

Convenient accessories include a bottle holder, drying rack, front and side towel holders, p-trap and supplies.

SM-19-FC2 Tub, Accessories and Faucet

T3521-PC Single lever faucet with pullout spray. Polished chrome.

Model No.	Description	LIST	Pts.
SM-19-F	Floor Mount Laundry Tub only	\$126.77	1.00
SM-19-FA	Floor Mtd. Tub & Accessories	\$150.91	1.00
SM-19-FC2	Floor Mtd. Tub, Faucet and Accessories	\$264.71	1.50



WALL MODEL LAUNDRY TUB

SPECIFICATIONS

SM-19-W Tub only W22³/₈" x D26" x 14"

Single compartment, multi-purpose polypropylene structural composite sink. Unique molding process, producing seamless corners and edges while providing unrivaled strength. Low-maintenance polyethylene legs offer structural rigidity. Leak-proof, integral molded-in drain with stopper. Large, self-draining back shelf with retainer curb that prohibits water run-off except into tub. Easy to assemble and install. 5 year limited warranty.

IAPMO®, #B45.0 and B45.5; Drain - #B125. ANSI Z124-2011

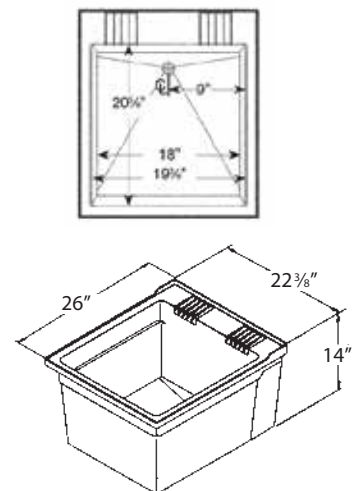
SM-19-WA Tub & Accessories

Convenient accessories include a bottle holder, drying rack, front and side towel holders, p-trap and supplies.

SM-19-WC2 Tub, Accessories and Faucet

T3521-PC Single lever faucet with pullout spray. Polished chrome.

Model No.	Description	LIST	Pts.
SM-19-W	Wall Mount Laundry Tub only	\$126.77	1.00
SM-19-WA	Wall Mtd. Tub & Accessories	\$150.91	1.00
SM-19-WC2	Wall Mtd. Tub, Faucet and Accessories	\$264.71	1.50



PULL-OUT LAUNDRY FAUCET

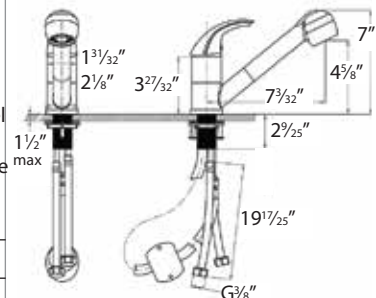
SPECIFICATIONS

T3521

Single lever handle. Brass construction. Dual function pull-out spray. Swivel spout. Ceramic disc cartridge. 1.8 gpm max (6.8L/min) - saves 20% more water. Flexible supply lines with 3/8" compression fittings. Polished chrome finish. Installation in a 1-3/8" hole. Lifetime warranty.

Faucet Height: 7", Spout Reach: 7³/₂", Deck to Aerator: 4⁵/₈"

Model No.	Description	LIST	F Pts.
T3521-PC	Single lever faucet with pull-out spray	\$152.45	0.50



LAUNDRY TUB COMPONENTS

Model No.	Description	LIST	Pts.
SM-LT-AP	Accessory Kit	\$17.86	-
SM-LT-WF	Wall Bracket	\$31.83	-

Solid Surface Shower and Tub Walls, Shower Bases - 10 Years Ltd. Residential / 3 Years Ltd. Commercial
Solid Surface Bathtubs - Lifetime Ltd. Residential / 3 Years Ltd. Commercial
Solid Surface Vanity Tops, Kitchen Sinks - 10 Years Ltd. Residential / 3 Years Ltd. Commercial
Granite, Marble, Quartz Vanity Tops - 10 Years Ltd. Residential / 3 Years Ltd. Commercial
Decor Vanity Tops - 5 Years Ltd. Residential / 1 Year Ltd. Commercial
Vitreous China Toilets and Lavatories - 5 Years Limited Residential / 1 Year Ltd. Commercial
silQ® granite Kitchen Sinks - Lifetime Ltd. Residential / 1 Year Ltd. Commercial
Stainless Steel Kitchen Sinks - Lifetime Ltd. Residential / 1 Year Ltd. Commercial
Stainless Steel Kitchen Faucets - Lifetime Ltd. Residential / 1 Year Ltd. Commercial

TRANSOLID, Div. expressly warrants its products as listed above to be free of defects in material and workmanship, subject to the limitations set forth in this Limited Warranty. Each product will function for the purpose for which it was designed for the time period designated above from the date of purchase to the original buyer, provided it has been installed in accordance with the installation instructions provided by TRANSOLID, Div., used as recommended, and not damaged due to excessive heat or abuse. Granite and marble are natural stone products; therefore, Transolid does not guarantee against variations in color, markings, vein directions, imperfections, soundness, instability, inconsistency or suitability for the purpose selected.

This warranty does not cover replacements and/or corrections caused by misuse, improper maintenance or normal wear and tear, acts of nature, scratches, chips or damage caused by failure of any adhesive, caulk or other accessory, or failure of any caulked or filled joint or seam. This Limited Warranty covers the product for normal interior use in the United States, Mexico and Canada and does not cover the product moved from its original place of installation. Labor charges incurred during any installations are not included under this Limited Warranty.

TRANSOLID, Div. will, at its option, repair, replace, or refund the purchase price of the product to the original purchaser if a TRANSOLID, Div. product fails due to a TRANSOLID, Div. manufacturing defect, which is discovered during the warranted years as listed above after the initial purchase. Replacements and/or corrections are at the sole discretion of the Transolid, Div. and will be limited in scope to reasonable and equitable remedy.

This Limited Warranty applies to TRANSOLID, Div. products that are purchased after January 1, 2011 and maintained as described by TRANSOLID's care and maintenance guide. (If needed, the care and maintenance guide can be found on the TRANSOLID website at www.transolid.com.) You may obtain coverage by providing proof of the date of initial purchase. For service under this Limited Warranty, you must notify TRANSOLID, Div. in writing, providing your name and address, a description of the product involved, the nature of the defect or failure, and proof of purchase and date of purchase. Repair or replacement shall not include any labor charges. This limited warranty is non-transferable.

The address to which warranty problems should be reported is:

Transolid, Div.
P.O. Box 30
Warren, OH 44482-0030

Transolid will ship (freight collect) to you products repaired or replaced under this Warranty.

THIS LIMITED WARRANTY IS IN LIEU OF ALL OTHER WARRANTIES, AND TRANSOLID, Div. EXPRESSLY DISCLAIMS ALL OTHER WARRANTIES, EXPRESS OR IMPLIED, INCLUDING WITHOUT LIMITATION ANY IMPLIED WARRANTY OF MERCHANTABILITY OR FITNESS FOR A PARTICULAR PURPOSE. THIS LIMITED WARRANTY SETS FORTH THE PURCHASER'S SOLE REMEDY IN CONNECTION WITH THE SALE OR USE OF PRODUCTS COVERED BY THIS LIMITED WARRANTY AND IN NO EVENT SHALL TRANSOLID, Div. BE OTHERWISE LIABLE FOR ANY LOSS, DAMAGE OR INJURY OF ANY NATURE ARISING OUT OF THE SALE OR USE OF THE PRODUCTS DELIVERED HEREUNDER, WHETHER FOR NEGLIGENCE, BREACH OF CONTRACT OR UNDER ANY OTHER LEGAL OR EQUITABLE THEORY. TRANSOLID, Div. SHALL NOT BE LIABLE FOR ANY INDIRECT, SPECIAL OR CONSEQUENTIAL DAMAGES ARISING OUT OF THE SALE OR USE OF SUCH PRODUCTS, INCLUDING BUT NOT LIMITED TO LOST PROFITS, REVENUES, ANTICIPATED SALES, BUSINESS OPPORTUNITIES OR FOR INTERRUPTION OF BUSINESS*. THIS WARRANTY IS NON-TRANSFERRABLE.

*Some states do not allow the exclusion or limitation of incidental or consequential damages, so the above limitation or exclusion may not apply to you. This warranty gives you specific legal rights, and you may also have other rights which may vary from state to state.

Note: Transolid warranty does not include items identified as 'wear items' that can be purchased through Transolid. If you require replacement of a 'wear item', please contact Transolid.

Transolid, Div.
P.O. Box 30
Warren, OH 44482-0030

(800) 766-2452
Fax (330) 399-4426

www.transolid.com
E-mail: sales@transolid.com